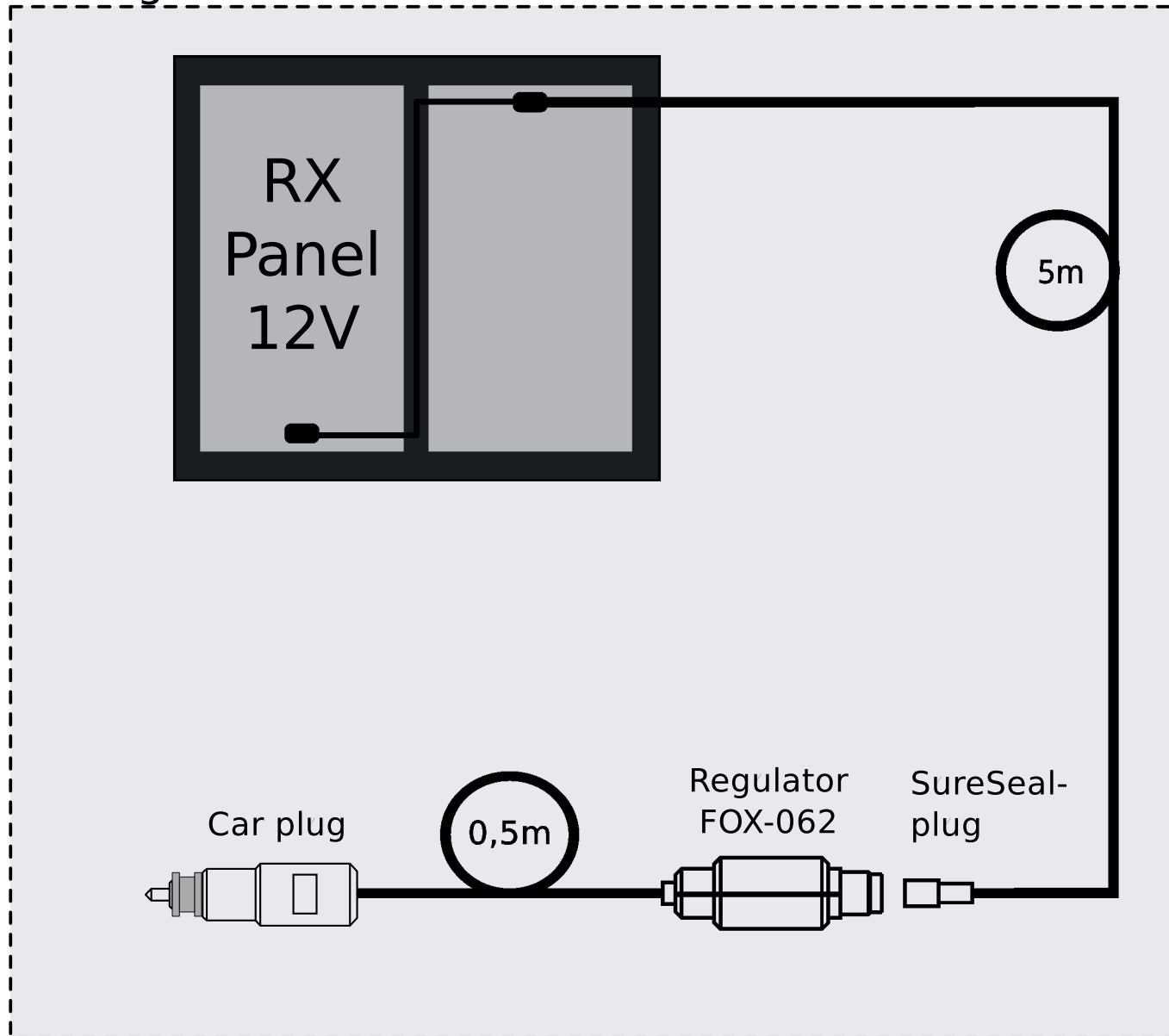


## Package content RX-Panels



When using a RX-panel you just plug in the cable of the RS-panel into the regulator and the car plug into the 12V socket.

Extension cords with 5m and 10m are available.

