



Miniature solar charge controller FOX-062

Advanced miniature charge controller for 12V and 24V solar systems. Developed for mobile solar applications. Compact, ready to plug solution with SureSeal socket and automobile plug. Made in Germany.

Product characteristics

- Overcharge protection 6A, is equal to solar panels of approx 100 Watt 12V, or 200W 24V
- Reverse current protection
- 98% charging efficiency
- 12V/24V system voltage, automatic recognition
- 3-color LED for battery status indication
- Battery type adjustable for AGM, gel and Lead acid batteries
- Motor vehicle connector with integrated fuse 8A
- Ready to plug solution – usage without tools
- Incl. 1m cable 2x1,5qmm with SureSeal-plug

The FOX-062 is an advanced miniature charge controller for 12V and 24V solar systems. The overcharge protection is designed for a solar current of 6A. Reverse current protection is integrated.

The charging characteristic for Lead acid, GEL or AGM batteries can be adjusted by the red DIP switch at the side of the controller housing.

The LED (3 colors & flashing frequency) shows variety information about status of battery and charging.

The regulator has a car plug with integrated fuse, which can also be used in the cigarette lighter socket.

Delivery includes 1 meter cable (2 x 1,5qmm) with SureSeal-plug at the end.

At the SureSeal-plug every solar panel can be connected to the charge controller directly.

TECHNICAL FEATURES

FOX-062

| | FOX-062 |
|----------------------------|------------------------------------|
| System voltage | 12V / 24V automatic recognition |
| Overcharge protection | max 6A |
| Display | 1 LED, 3-color |
| Power requirement | 3,9mA |
| Umin. | 8,6V |
| Umax. (Uoc) | 50V |
| PWM frequency | 244 Hz |
| Environmental conditions | -20°C... +45°C, non-thawing |
| Fuse | 8A |
| Weight | |
| controller | 75g |
| controller incl. packaging | 200g |
| Protection class | IP50 |

Technical changes reserved. State 11/2016



RANGE OF APPLICATIONS

- For off-road and 4-wheel drive
- For camping and caravan
- For mobile current supply & outdoor



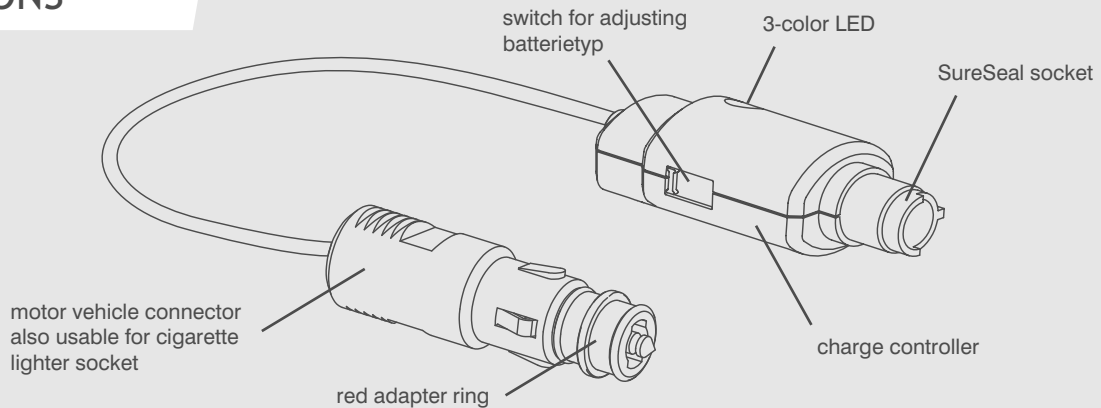
Usage notes

The regulator has to be plugged into the cigarette lighter or the car socket. To use a car socket, remove the red adapter with a rotary movement.

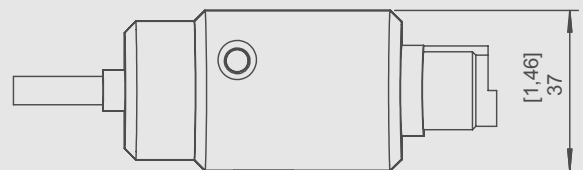
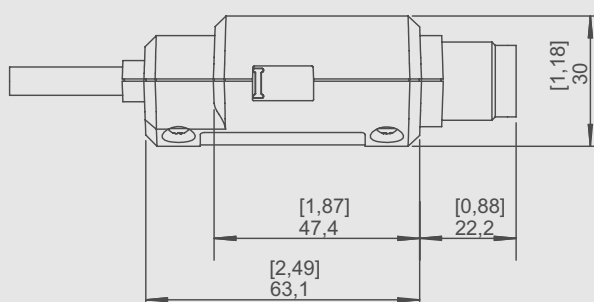
The solar panel has to be inserted on the side of the SureSeal-plug.

At the side of the controller housing is a slide lock, behind it there is the switch for the setting of the battery type. The switch settings for the battery types AGM, lead acid and gel are indicated on the backside of the controller.

FUNCTIONS



DIMENSIONS



mm [inch]